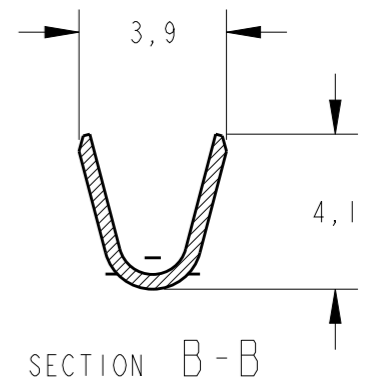
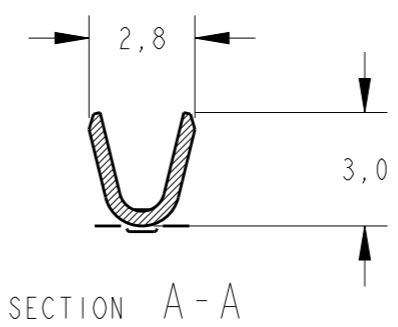
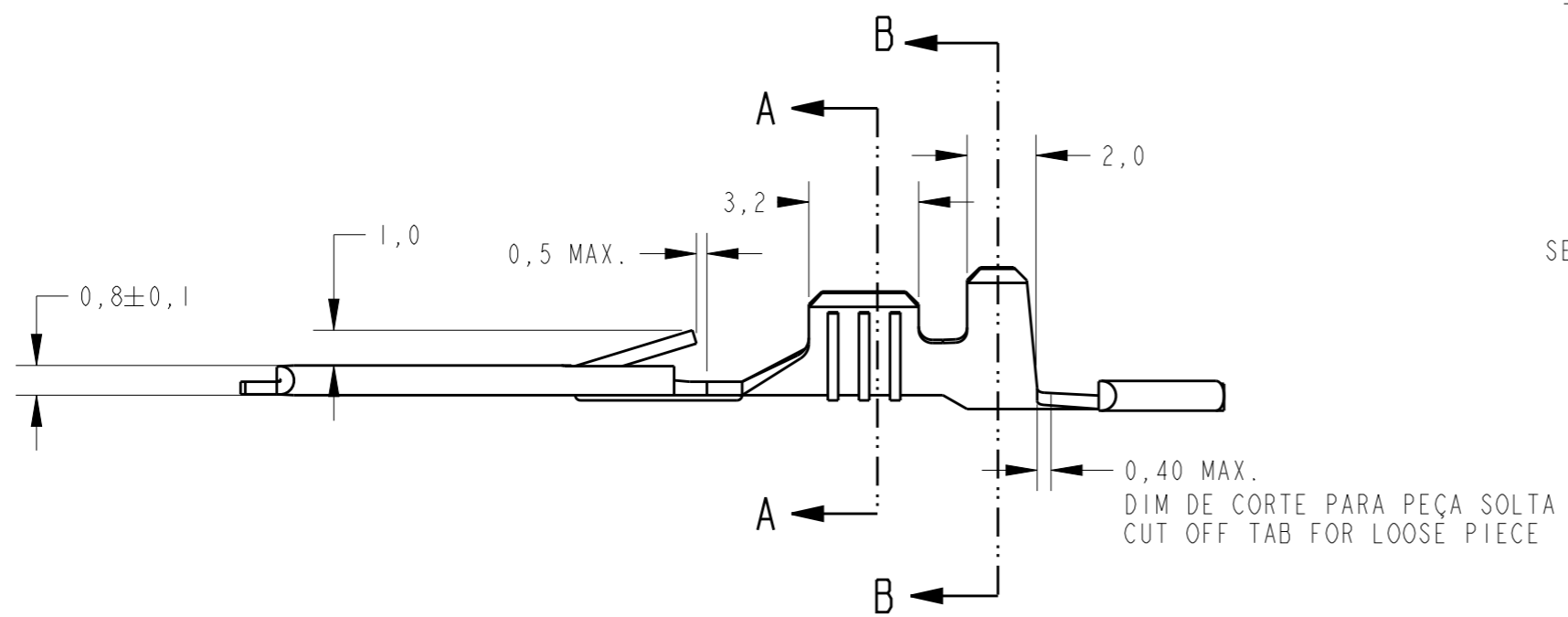
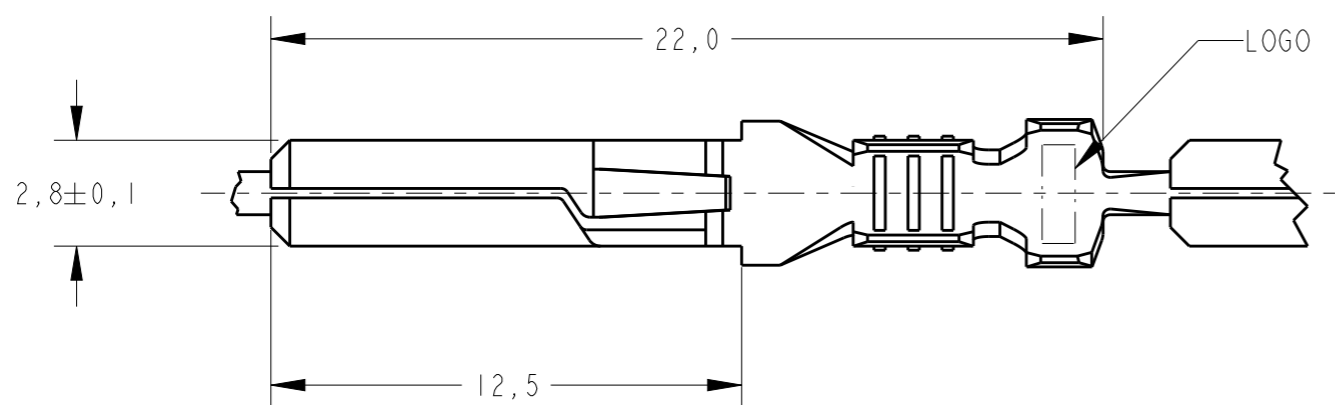


THIS DRAWING IS UNPUBLISHED. RELEASED FOR PUBLICATION 20
 © COPYRIGHT 20 BY - ALL RIGHTS RESERVED.

LOC	DIST	REVISIONS			
P	LTR	DESCRIPTION	DATE	DWN	APVD
AP	-				
	D2	REDRAW ECO-14-013260	01OCT2014	HC	WLS
	D3	REV. BY ECO 14-019128	09JAN2015	HC	WLS



OBSOLETE		ELECTRO TIN	PHOS. BRONZE	881719-5
			PHOS. BRONZE	881719-4
OBSOLETE	881719-8	PRE - TIN	BRASS	881719-3
	881719-7	ELECTRO TIN	BRASS	881719-2
	881719-6		BRASS	881719-1
	LOOSE PIECE PN	FINISH	MATERIAL	PART NUMBER

△-OBSOLETE PARTS: OBSOLETE CIS STREAMLINING PER D.RENAUD/D.SINISI

THIS DRAWING IS A CONTROLLED DOCUMENT.		DWN 30SEP2014 H.C.CANTERLI	STE TE Connectivity	
		CHK 30SEP2014 W.L.STEFANI		
DIMENSIONS: mm	TOLERANCES UNLESS OTHERWISE SPECIFIED:	APVD -	NAME .110 SERIES FASTIN-ON TAB	
	0 PLC ± - 1 PLC ±0,3 2 PLC ± - 3 PLC ± - 4 PLC ± - ANGLES ±1°	PRODUCT SPEC 108-37015	SIZE CAGE CODE DRAWING NO RESTRICTED TO	
INSUL. RANGE 1,40 -2,70mm	MATERIAL	APPLICATION SPEC 114-2065	A3 00779	©-881719
WIRE RANGE 0,5 - 1,0 mm2	FINISH	WEIGHT -	SCALE 5/1 SHEET 1 OF 1 REV D3	
Customer Drawing				